

URM

MECHANICAL DIAPHRAGM METERING PUMPS



Technical data are subject to modifications without prior notice.



www.oblamerica.com

BLACK LINE

The OBL URM series are mechanical diaphragm spring return mechanism metering pumps. They combine the working characteristics of a plunger with the sealing advantages of a diaphragm pump. Thanks to the quality and simple design of the diaphragm, these pumps are easy-handling

MATERIALS OF CONSTRUCTION

PARTS	50% GFRP	PPH	PP32	A	PVC	PVDF
LIQUID END	PP	PP	PP	316L SS	PVC	PVDF
VALVE GUIDE	PP	PP	PP	PP	PE	PVDF
VALVE SEAT	PVC	316L SS	INCOLOY 825	316L SS	PVC	PVDF
VALVE BALL	PYREX	316L SS	HASTELLOY C-276	316L SS	PYREX	PYREX
VALVE SEAL	VITON	VITON	VITON	VITON	FPM	FPM
VALVE HOUSING	PP	PP	PP	PP	PVC	PVC
DIAPHRAGM	TEFLON (PTFE)	TEFLON (PTFE)	TEFLON (PTFE)	TEFLON (PTFE)	TEFLON (PTFE)	TEFLON (PTFE)

GENERAL FEATURES

- Diaphragm, economical, robust, compact metering pump.
- The mechanical diaphragm acts basically as a plunger, but separates between the housing and the pumped fluid.
- Minimum maintenance required, thanks to the reduced number of components.
- Smooth and linear adjustment, either stationary or running, via micrometer knob.
- +/- 2% accuracy within 10 to 100% of the nominal flow rate.



Micrometer Length Adjustment

Black anodized Aluminum housing

Available in PP, PVC and SS

PTFE coated cast iron diaphragm chamber

DIAPHRAGM STRUCTURE

The OBL's unique mechanical diaphragm design ensures controlled volumetric displacement, giving plunger-like performances



DIAPHRAGM SECTIONAL VIEW

Sectional view without PVC support ring



Complete sectional view with PVC support ring

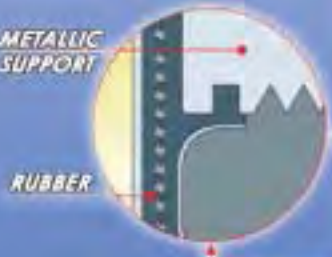


DETAIL OF THE BONDING BETWEEN DIAPHRAGM AND METALLIC SUPPORT

DETAILS OF THE BONDING BETWEEN DIAPHRAGM AND METALLIC SUPPORT

Cross-section of the diaphragm.

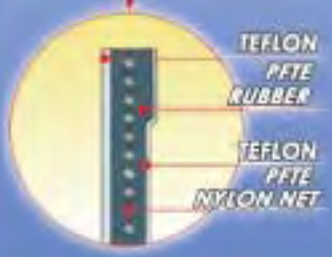
METALLIC SUPPORT



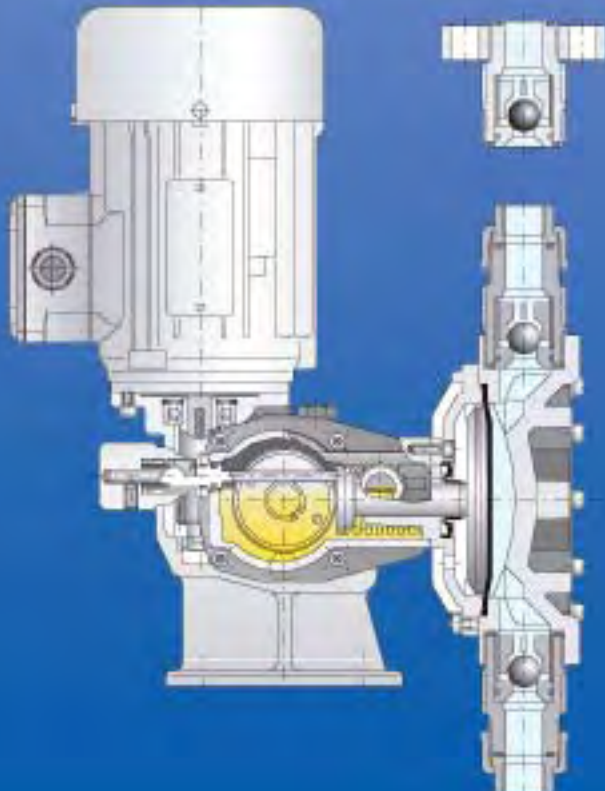
RUBBER



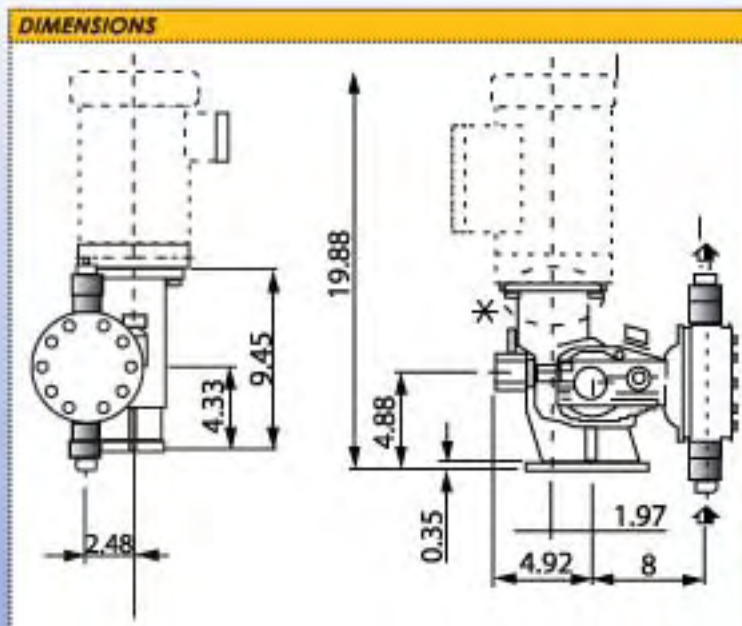
TEFLON
PTE
RUBBER



TEFLON
PTE
NYLON NET



MULTIHEADED PUMP



TECHNICAL DATA

Model	SPM	Capacity GPH (LPH)	Max Pressure PSI(Bar)	Motor	Connections	
					Threaded	Flanged
60 Hz						
URM 2.6	43	.68(2.6)	150 (10)	1/3 Hp	1/4"	1/2"
URM 3.9	60	1.0(3.8)	150 (10)	1/3 Hp	1/4"	1/2"
URM 5.5	84	1.45(5.5)	150 (10)	1/3 Hp	1/4"	1/2"
URM 8.4	118	2.2(8.4)	150 (10)	1/3 Hp	1/4"	1/2"
URM 10.2	30	2.7(10.2)	150 (10)	1/3 Hp	1/4"	1/2"
URM 12	43	3.2(12)	150 (10)	1/3 Hp	1/4"	1/2"
URM 9	60	2(7.5)	150 (10)	1/3 Hp	1/4"	1/2"
URM 14	84	3.2(12)	150 (10)	1/3 Hp	1/4"	1/2"
URM 28	118	6.5(24.5)	150 (10)	1/3 Hp	1/4"	1/2"
URM 36	43	8.5(32)	120 (8)	1/3 Hp	1/4"	1/2"
URM 45	60	10.7(40.5)	120 (8)	1/3 Hp	1/4"	1/2"
URM 42	84	10(37.8)	120 (8)	1/3 Hp	1/4"	1/2"
URM 58	118	13.8(52.2)	120 (8)	1/3 Hp	1/2"	1/2"
URM 90	43	21(79.4)	120 (8)	1/3 Hp	1/2"	1/2"
URM 121	60	28.5(107.7)	120 (8)	1/3 Hp	1/2"	1/2"
URM 145	84	34.5(130)	120 (8)	1/3 Hp	1/2"	1/2"
URM 120	118	30(113)	90 (6)	1/3 Hp	3/4"	3/4"
URM 158	43	40(151)	75 (5)	1/2 Hp	3/4"	3/4"
URM 236	60	59(223)	75 (5)	1/2 Hp	3/4"	3/4"
URM 312	84	78(295)	75 (5)	1/2 Hp	1"	1"
URM 384	118	97(367)	75 (5)	1/2 Hp	1"	1"
URM 180	43	42(159)	60 (4)	1/2 Hp	1"	1"
URM 228	60	58(220)	60 (4)	1/2 Hp	1"	1"
URM 360	84	90(340)	60 (4)	1/2 Hp	1"	1"
URM 519	118	135(510)	60 (4)	1/2 Hp	1"	1"

OBL America

Email - sales@oblamerica.com

Toll free: 1-866-625-8877

Tel: 770-943-4922

Fax: 770-943-4923

4838 Macland Road

Hiram, GA 30141

www.oblamerica.com

